

- Designed to comply with the requirements of GR1089, UL1950, EN60950, BABT and CSA950 to provide a supplementary insulation barrier with a working voltage of 250V
- UL File Number E150991
- Minimum interwinding breakdown voltage of 1500 Vrms
- Operating and storage temperature range: -40° to +85° C
- Meets IEC 695, 2-2 flammability requirements
- PWB Process Capability: standard printed wiring board assembly techniques, total-immersion cleaning
- Reliability testing: shock, vibration, temperature cycling, temperature - humidity - bias

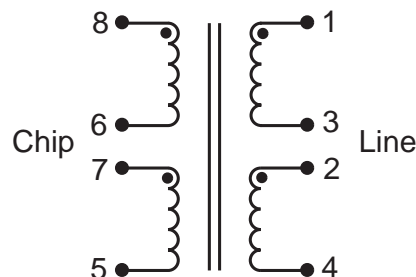
**ELECTRICAL SPECIFICATIONS AT 25° C**

Part Number	Turns Ratio ±2%	Inductance <sup>1</sup> mH ±5% 100mA DC	Leakage Inductance <sup>2</sup> µH max	DCR Ω nom ±10%		Interwinding Capacitance <sup>4</sup> pF max	Longitudinal Balance <sup>3</sup> dB max	Insertion Loss <sup>3</sup> dB max	Frequency Response <sup>3</sup> dB max	Harmonic Distortion <sup>3</sup> dB max
	Chip : Line	Line Side	Line Side	Chip Side	Line Side	1 & 8	20kHz - 300kHz	100kHz	40kHz - 300kHz	5kHz Fundamental
S560-6600-Z2	1 : 5.4	3	17	0.59	3.44	90	-55	0.75	0.30	-75

All measurements are made with pins 2 and 3 connected and pins 6 and 7 connected.  
 1. Inductance measured at 10kHz, 0.1 Vac.  
 2. Leakage inductance measured at 100 kHz, 0.1 Vac. Short terminals 5, 6, 7 and 8.  
 3. Measurements made with 135Ω source and 4.6Ω load impedance.  
 4. Interwinding capacitance measured at 10 kHz, 0.1Vac.

**SCHEMATIC**

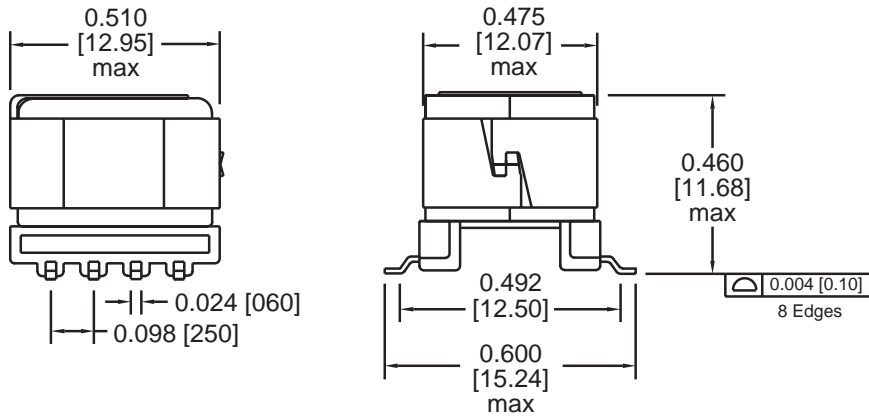
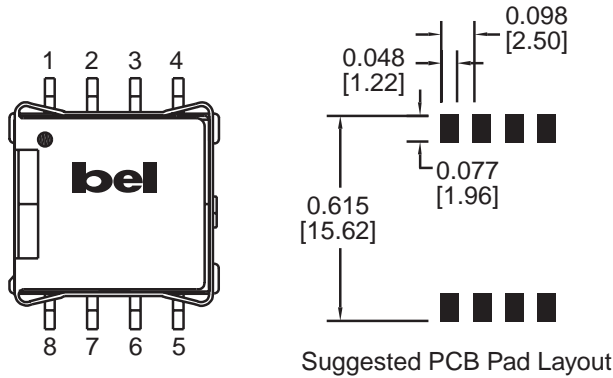
**S560-6600-Z2**



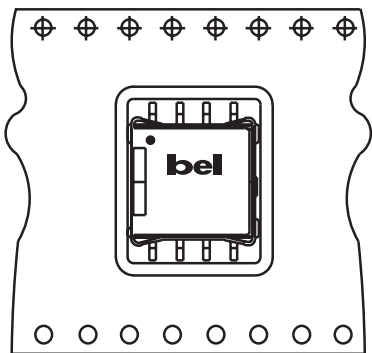
TM01346

### MECHANICAL

S560-6600-Z2



Dimensions are in inches [millimeters].  
Standard dimension tolerance is  $\pm 0.005$  [0.13] unless otherwise noted.



➔ User Feed Direction

Orientation of Component Inside Pocket

### Tape and Reel Packaging

32 mm wide by 24 mm pitch; 13 inch OD, 4 inch ID  
200 components per reel, maximum  
Meets ANSI/EIA 481-2 Carrier Tape Standards

©2001 Bel Fuse Inc. Specifications subject to change without notice. 11.01

### CORPORATE

**Bel Fuse Inc.**  
206 Van Vorst Street  
Jersey City, NJ 07302  
Tel 201-432-0463  
Fax 201-432-9542  
www.belfuse.com

### FAR EAST

**Bel Fuse Ltd.**  
8F / 8 Luk Hop Street  
San Po Kong  
Kowloon, Hong Kong  
Tel 852-2328-5515  
Fax 852-2352-3706  
www.belfuse.com

### EUROPE

**Bel Fuse Europe Ltd.**  
Preston Technology Management Centre  
Marsh Lane, Suite G7, Preston  
Lancashire, PR1 8UD, U.K.  
Tel 44-1772-556601  
Fax 44-1772-888366  
www.belfuse.com